

Mini Horns Sirens Buzzer / Horn 585

**Signal horn WM Contin. tone 24VAC/DC GY**



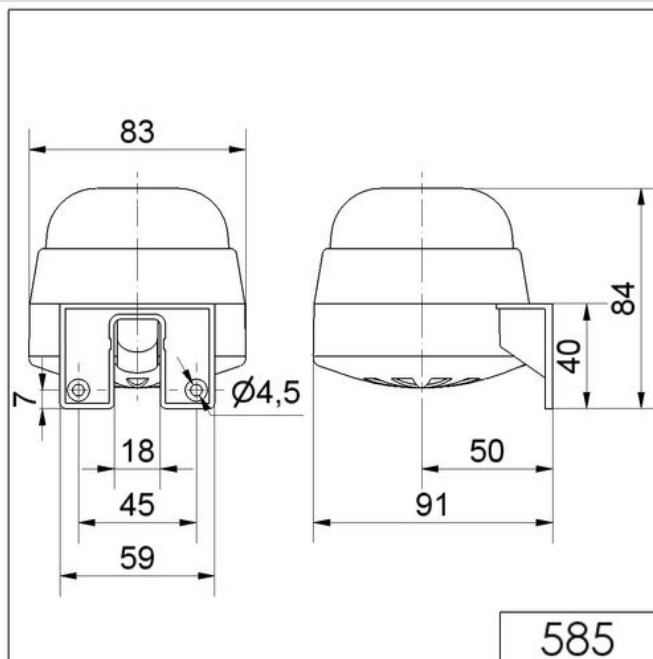
Part No.: 585.000.75



MECHANICAL DATA	
Length	91 mm
Width	83 mm
Height	84 mm
Diameter	83 mm
Materials	PC PC/ABS
Housing colour	Gray
Protection category	IP65
Connection	Screw terminals
cross-sectional area maximum	1,50mm <sup>2</sup> / 16AWG
Cable entry	Membrane grommet
Cable entry minimum	d = 1 mm
Cable entry maximum	d = 9 mm
Tension relief	Pull-out protection
Type of fixing	Wall mounting
Service life optical	5,000 h minimum
Acoustic service life	5,000 h minimum
Working temperature minimum	-20°C
Working temperature maximum	+50°C
Weight with packaging	143 g
Product weight	109 g
ELECTRICAL DATA	
Operating voltage	24V
Operating voltage type	AC/DC
Rated operational current	80 mA
Rated inrush current	500 mA
ACUSTICAL DATA	
Volume/dB(max) at 1m distance	98 dB(A)
Acoustic signal image	Continuous tone
Audio frequency	110 Hz

! For additional installation and mounting information, refer to the appropriate user guide at [www.werma.com](http://www.werma.com). This printed copy is for information only and is subject to alteration.

Mini Horns Sirens Buzzer / Horn 585

**Signal horn WM Contin. tone 24VAC/DC GY****DRAWING**

For additional installation and mounting information, refer to the appropriate user guide at [www.werma.com](http://www.werma.com). This printed copy is for information only and is subject to alteration.